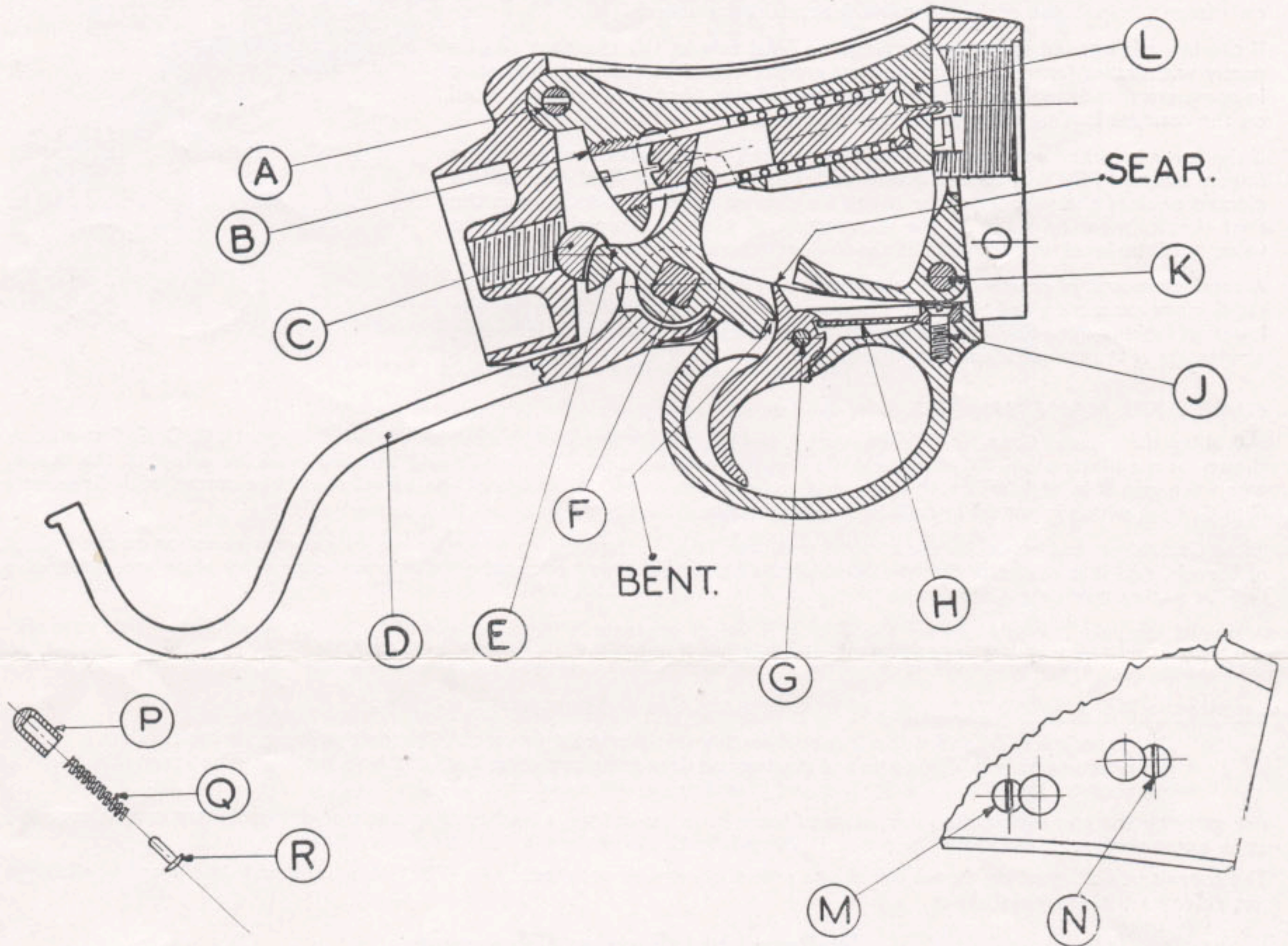


GREENER'S G.P. GUN INSTRUCTION SHEET



- | | | | |
|---|-------------------|---|-----------------------------|
| A | BLOCK AXIS PIN | J | TRIGGER SPRING SCREW |
| B | STRIKER STOP NUT | K | EXTRACTOR AXIS PIN |
| C | SAFETY CATCH | L | BLOCK |
| D | LEVER | M | INDICATOR KEEPER SCREW |
| E | TUMBLER | N | SAFETY CATCH KEEPER SCREW |
| F | INDICATOR SPINDLE | P | SAFETY CATCH DETENT PLUNGER |
| G | TRIGGER AXIS PIN | Q | DETENT SPRING |
| H | TRIGGER SPRING | R | SPRING GUIDE |